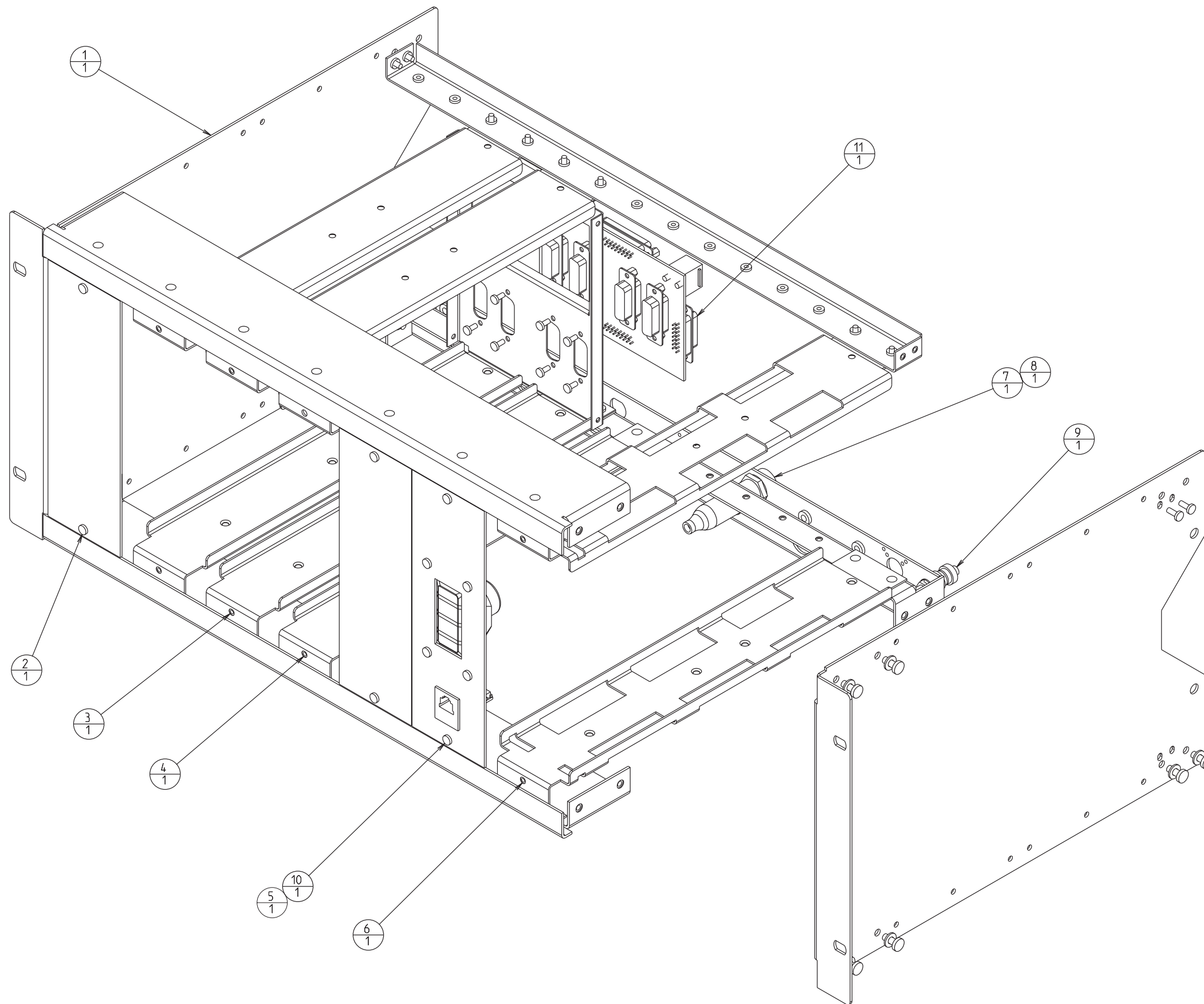


T800-22-0000 Standard

- x2 Blank Front Panels
- x1 T800-15-0000 Speaker Programming Panel
- x1 Fuseholder
- x1 Earthing Terminal
- x2 Channel Selection Dip Switches
- x1 Coaxial Relay Driver
- x1 Coolant Fan Driver

T800-22-0000 Options

- 316-06615-00 Blank Front Panel
- T800-01-0000 T800 Standard Programming Kit with PGM800WIN and Lead
- T800-15-0001 Speaker Front Panel
- T800-13-0000 Extender Rail Kit with x2 D-ranges Fitted.
- T800-19-0000 Fan Kit - Rail Mounted (As Series)
- T800-19-0010 Fan Kit - Guide Mounted
- T800-60-0000 Personality PCB for Monitor or Channel Selection Panels
- T818-01-0000 Rx/Tx Metering and Monitor Unit
- T800-43-0000 T300/T1500 Guide Kit for (T818-01-0000)
- T991-06 Cabinet 6U, with Door and Lock
- T004-72 Coaxial Relay
- TA087-01 Channel Selection Panel, Programmable 1 to 100 channels
- TA387-01 Channel Selection Panel, 1 to 10 Channels.



Key

The upper number is the component identification number which appears in the "Legend" column of the Mechanical & Miscellaneous Parts table shown below (and on each of the following drawings).

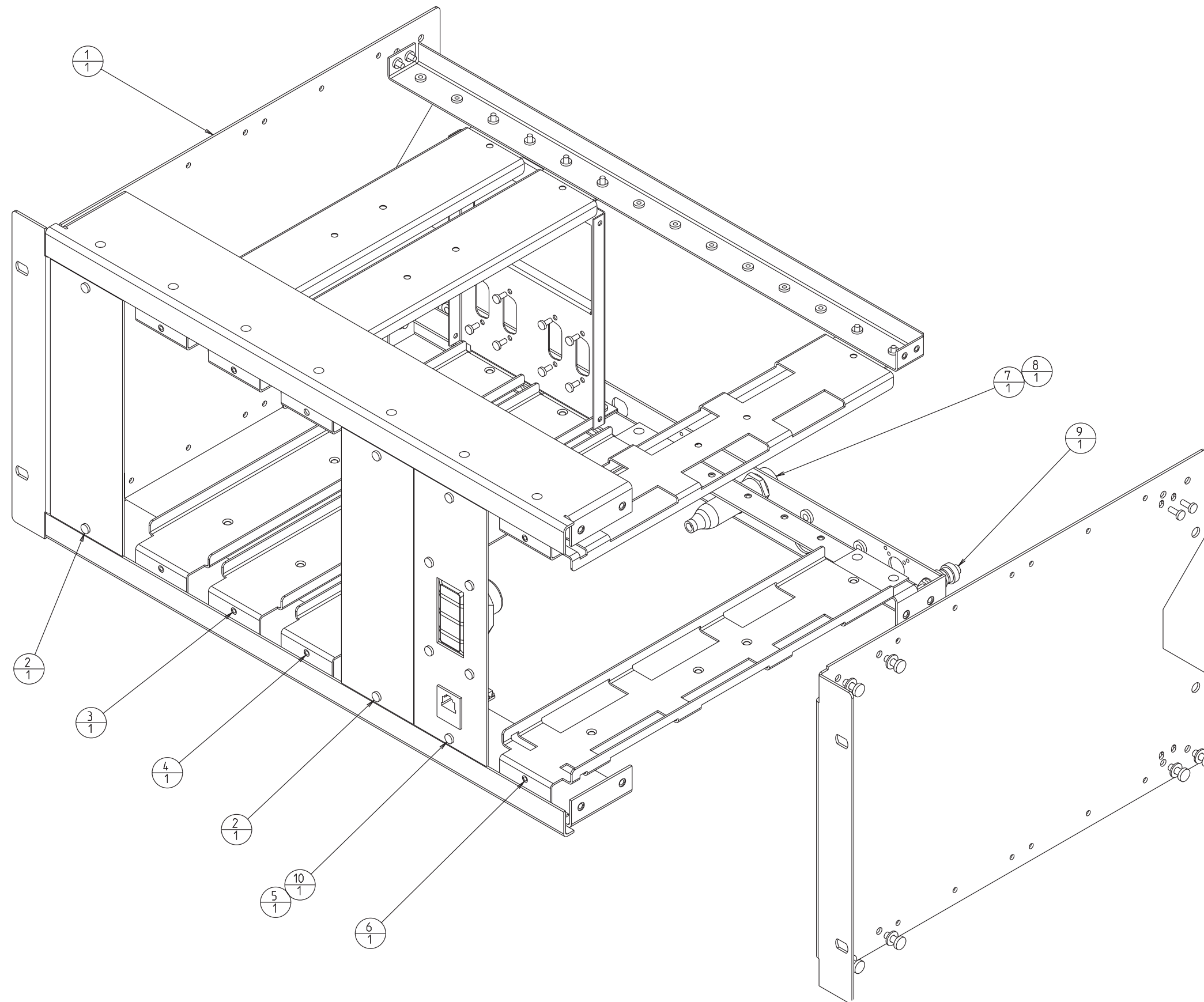
The lower number indicates how many of this component are used in this location or function.

Note that some nuts and washers, normally hidden behind other components, have been moved into view to improve the clarity of the drawing.

33
2

IPN/ Product Code	Legend	Description
T800-22-0004	1	Rack, Loom Option
T800-40-0001	2	T800 Blank Panel With Fitting Kit
T800-41-0002	3	T800 Double Guide Kit
T800-45-0000	4	T800 PA Guide Kit
T800-40-0000	5	T800 Fitting Kit Only For Blank Panel
T800-44-0000	6	T800 PS Guide Kit
340-00010-22	7	Fuseholder 30A Panel Mtg
340-00011-50	8	Cover, Fuseholder, Insulating
356-00010-61	9	Earthing Terminal
T800-15-0000	10	Speaker Panel
T800-50-0000	11	Standard Rack Backplane PCB Assembly

**Standard Rack Frame With Backplane PCB
T800-22-0000 Mechanical Assembly**



Key

The upper number is the component identification number which appears in the "Legend" column of the Mechanical & Miscellaneous Parts table shown below (and on each of the following drawings).

The lower number indicates how many of this component are used in this location or function.

Note that some nuts and washers, normally hidden behind other components, have been moved into view to improve the clarity of the drawing.

IPN/ Product Code	Legend	Description
T800-22-0004	1	Rack, Loom Option
T800-40-0001	2	T800 Blank Panel With Fitting Kit
T800-41-0002	3	T800 Double Guide Kit
T800-45-0000	4	T800 PA Guide Kit
T800-40-0000	5	T800 Fitting Kit Only For Blank Panel
T800-44-0000	6	T800 PS Guide Kit
340-00010-22	7	Fuseholder 30A Panel Mtg
340-00011-50	8	Cover, Fuseholder, Insulating
356-00010-61	9	Earthing Terminal
T800-15-0000	10	Speaker Panel

**Standard Rack Frame Without Backplane PCB
T800-22-0002 Mechanical Assembly**